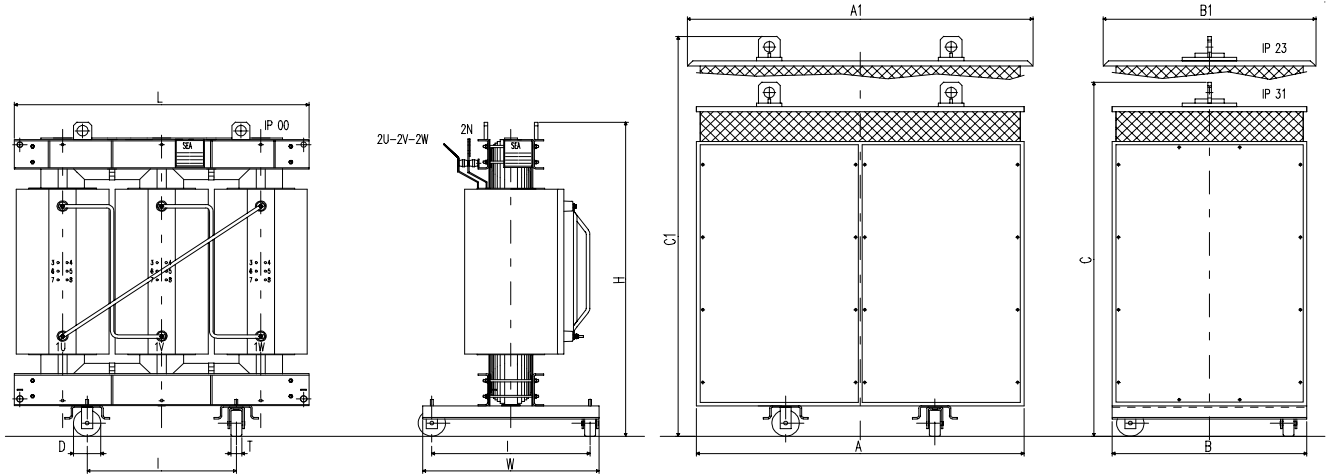


**SEA TRASFORMATORI IN RESINA
SEA CAST - RESIN TRANSFORMERS
SEA TRANSFORMATEURS A LA RESINE EPOXY
SEA DREHSTROM - GIESSHARZTRANSFORMATOREN**

12 kV TTR - A 50 Hz

Trasformatore IP 00 - Transformer IP 00
Transformateur IP 00 - Transformator IP 00

Armadio IP 31 - IP23 - Enclosure IP 31 - IP23
Enveloppe IP 31 - IP23 - Schutzgehäuse IP 31 - IP23

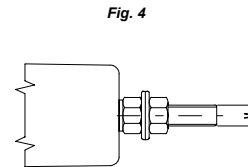
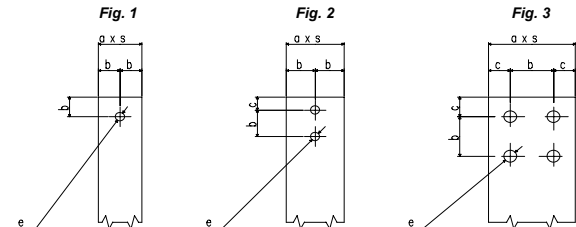


Dati Elettrici - Electrical Data - Donnees Electriques - Elektrische Daten

Pot.	kVA	100	160	200	250	315	400	500	630	(630)	800	1000	1250	1600	2000	2500	3150
Trasformatore IP 00 - Transformer IP 00 - Transformateur IP 00 - Transformatoren IP 00																	
L	mm	1130	1230	1270	1320	1380	1470	1520	1560	1560	1630	1690	1770	1840	1940	2050	2190
W	mm	645	675	685	695	775	785	795	800	820	815	970	970	970	1270	1270	1270
H	mm	1070	1180	1200	1320	1370	1450	1510	1630	1630	1740	1860	1890	2080	2180	2340	2390
I	mm	520	520	520	520	670	670	670	670	670	670	820	820	820	1070	1070	1070
D	mm	125	125	125	125	125	125	125	125	125	125	150	150	150	200	200	200
T	mm	40	40	40	40	40	40	40	40	40	40	60	60	60	70	70	70
Pt	kg	610	750	850	980	1150	1400	1550	1750	1750	2000	2450	2950	3550	4150	5000	6100
Armadio IP 20/IP 21/IP 31 - Enclosure IP 20/IP 21/IP 31 - Enveloppe IP 20/IP 21/IP 31 - Schutzgehäuse IP 20/IP 21/IP 31																	
A	mm	1550	1550	1550	1750	1750	1750	1950	1950	1950	1950	2150	2150	2350	2350	2750	2750
B	mm	895	895	895	995	995	995	995	995	995	995	1195	1195	1395	1395	1545	1545
C	mm	1630	1630	1630	1980	1980	1980	2200	2200	2200	2200	2440	2440	2690	2780	3050	3050
Pa	kg	250	250	250	300	300	300	350	350	350	350	450	450	550	550	700	700
Armadio IP 23/IP 33 - Enclosure IP 23/IP 33 - Enveloppe IP 23/IP 33 - Schutzgehäuse IP 23/IP 33																	
A1	mm	1830	1830	1830	2030	2030	2030	2230	2230	2230	2230	2430	2430	2590	2590	2990	2990
B1	mm	1180	1180	1180	1280	1280	1280	1480	1480	1480	1480	1480	1480	1640	1640	1790	1790
C1	mm	1530	1530	1530	1880	1880	1880	2100	2100	2100	2100	2340	2340	2640	2730	3050	3050
Pa1	kg	250	250	250	300	300	300	400	400	400	400	450	450	550	550	700	700
P BT	A	500	500	500	500	750	750	750	1000	1000	1300	1600	2000	2500	3100	3800	4600
P MT	A	250	250	250	250	250	250	250	250	250	250	250	250	250	250	250	400

Terminali BT - Terminals LV - Bornes BT - OS Anschlüssen

Terminali MT - Terminals HV - Bornes HT - NS Anschlüssen



P BT	A	500	750	1000	1300	1600	2000	2500	3100	3800	4600						
P MT	A												250	400	630		
Fig.		1	1	2	2	3	3	3	3	3	3		4	4	4		
a	mm	40	60	80	80	100	100	120	120	120	140		-	-	-		
s	mm	5	6	6	8	8	10	10	12	15	15		-	-	-		
b	mm	20	30	40	40	50	50	60	60	60	70		-	-	-		
c	mm	-	-	20	20	25	25	30	30	30	35		-	-	-		
e	mm	13	13	13	13	18	18	18	18	18	18		-	-	-		
M		-	-	-	-	-	-	-	-	-	-		12	16	20		