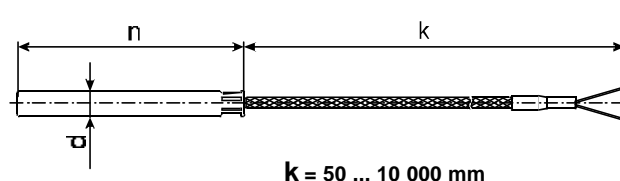
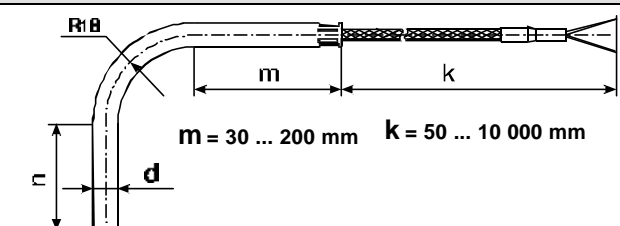
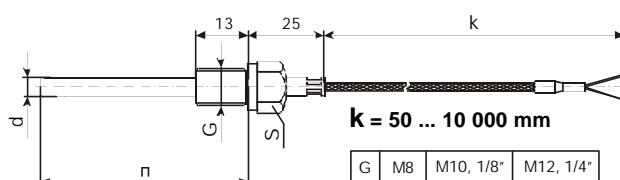


TS

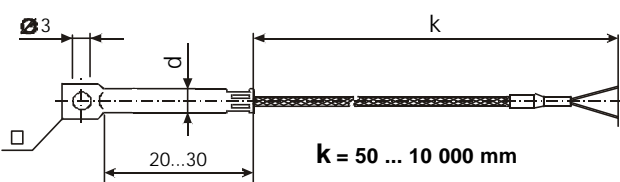
PROBE WITHOUT MOUNTING APPLIANCES A (TSA) Sheath - stainless steel 1.4541 or 1.4571. Cable - see table notes	SENSITIVE ELEMENT	TEMPERATURE RANGE	DIMENSIONS		
			n [mm]	d [mm]	wires
 <p>k = 50 ... 10 000 mm</p>	1 x Pt (RB,RD,RF,RG)	T7 0...200 °C	20...100	4	2
		T7 0...200 °C T8* 0...400 °C	30...200	5, 6	2, 3*, 4*
	1 x Cu (RH, RK)	T7 0...200 °C	50...200	5, 6	2, 3*, 4*
	1 x J, 1 x K	T8 0...400 °C	25...200	5, 6	2
	1 x K	T4 0...800 °C	25...200	6	2
	1 x T	T7 0...200 °C	25...200	5, 6	2
Cable type: - GLGLP (glass fibre with steel braid) for d=5, 6 and T7, T8; - TT (Teflon) for d=4; - SFSF (mineral fibre) for T4 and 1 m minimum length! * Please contact COMECO!					

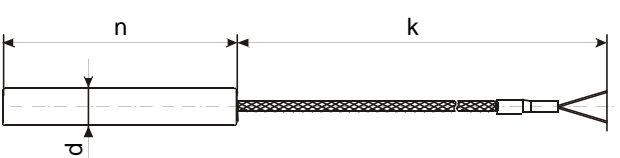
ANGLE-TYPE PROBE WITHOUT MOUNTING APPLIANCES AL (TSAL) Sheath - stainless steel 1.4541 or 1.4571. Cable - see table notes	SENSITIVE ELEMENT	TEMPERATURE RANGE	DIMENSIONS		
			n [mm]	d [mm]	wires
 <p>m = 30 ... 200 mm k = 50 ... 10 000 mm</p>	1 x Pt (RB,RD,RF,RG)	T7 0...200 °C	20...100	4	2
		T7 0...200 °C T8* 0...400 °C	30...200	5, 6	2, 3*, 4*
	1 x Cu (RH, RK)	T7 0...200 °C	50...200	5, 6	2, 3*, 4*
	1 x J, 1 x K	T8 0...400 °C	25...200	5, 6	2
	1 x K	T4 0...800 °C	25...200	6	2
	1 x T	T7 0...200 °C	25...200	5, 6	2
Cable type: - GLGLP (glass fibre with steel braid) for d=5, 6 and T7, T8; - TT (Teflon) for d=4; - SFSF (mineral fibre) for T4 and 1 m minimum length! * Please contact COMECO!					

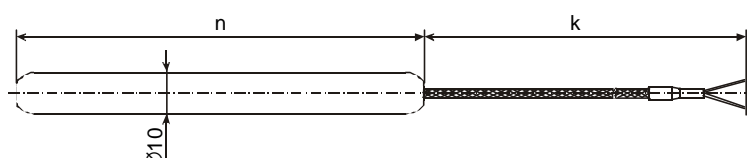
SCREW-IN-TYPE PROBE AG (TSAG) Sheath - stainless steel 1.4541 or 1.4571. Cable - see table notes	SENSITIVE ELEMENT	TEMPERATURE RANGE	DIMENSIONS										
			n [mm]	d [mm]	wires								
 <p>k = 50 ... 10 000 mm</p> <table border="1" data-bbox="494 1500 766 1579"> <tr> <td>G</td> <td>M8</td> <td>M10, 1/8"</td> <td>M12, 1/4"</td> </tr> <tr> <td>S</td> <td>10</td> <td>12</td> <td>14</td> </tr> </table>	G	M8	M10, 1/8"	M12, 1/4"	S	10	12	14	1 x Pt (RB,RD,RF,RG)	T7 0...200 °C	20...100	4	2
	G	M8	M10, 1/8"	M12, 1/4"									
	S	10	12	14									
	T7 0...200 °C T8* 0...400 °C	30...200	5, 6	2, 3*, 4*									
	1 x Cu (RH, RK)	T7 0...200 °C	50...200	5, 6	2, 3*, 4*								
	1 x J, 1 x K	T8 0...400 °C	25...200	5, 6	2								
1 x K	T4 0...800 °C	25...200	6	2									
1 x T	T7 0...200 °C	25...200	5, 6	2									
Cable type: - GLGLP (glass fibre with steel braid) for d=5, 6 and T7, T8; - TT (Teflon) for d=4; - SFSF (mineral fibre) for T4 and 1 m minimum length! * Please contact COMECO!													

COMECO reserves the right of changing specifications without prior notice!

TS

PROBE FOR SURFACE MOUNTING Sheath - stainless steel 1.4541 or 1.4571. Cable - see table notes	AT (TSAT)	SENSITIVE ELEMENT	TEMPERATURE RANGE	DIMENSIONS		
				[mm]	d [mm]	wires
 <p>k = 50 ... 10 000 mm</p>		1 x Pt (RB,RD,RF,RG)	T7 0...200 °C	6x6	4	2
			T7 T8* 0...200 °C 0...400 °C	7x7, 8x8	5, 6	2, 3*, 4*
		1 x J, 1 x K	T8 0...400 °C	7x7, 8x8	5, 6	2
		1 x T	T7 0...200 °C	7x7, 8x8	5, 6	2
		Cable type: - GLGLP (glass fibre with steel braid) for d=5, 6; - TT (Teflon) for d=4. * Please contact COMECO!				

MI-PROBE WITH HIGH-TEMPERATURE CABLE Sheath - stainless steel 2.4816 (Inconel 600). Cable - SFSF (mineral fibre) or KFKF (ceramic fibre)	AN (TSAN)	SENSITIVE ELEMENT	TEMPERATURE RANGE	DIMENSIONS		
				n [mm]	d [mm]	cable
 <p>k = 1000 ... 10 000 mm</p>		1 x K	T3 0...850 °C T13 0...1000 °C	50...500	8, 10	SFSF KFKF
			2 x K	T3 0...850 °C T13 0...1000 °C	50...500	10
		1 x N *	T3 0...850 °C T13 0...1000 °C	50...500	8, 10	SFSF KFKF
			Sheath material 1.4876 (Incolloy 800) is also available. * Contact COMECO!			

CERAMIC PROBE WITH HIGH-TEMPERATURE CABLE Sheath - ceramic 610 Cable - KFKF (ceramic fibre)	AZ (TSAZ)	SENSITIVE ELEMENT	TEMPERATURE RANGE	DIMENSIONS	
				n [mm]	
 <p>k = 1000 ... 10 000 mm</p>		1 x K, 2 x K	T5 0...1200 °C	50...500	
				1 x N, 2 x N	T5 0...1200 °C
		Also available ceramics: - 710 (Oxal) - 799 (Alsint)			